



SEBO AUTOMATIC X

MADE IN GERMANY

OWNER'S MANUAL

For Household Use Only



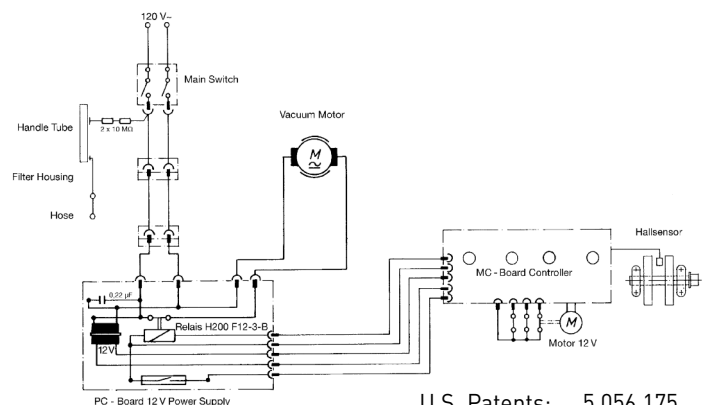
TABLE OF CONTENTS

Technical Details	2
Wiring Diagram	2
How To Contact SEBO	2
Important Safety Instructions	3
SEBO Automatic X Product Features	4
Standard Features of all SEBO Vacuums	5
Optional Attachments, Accessories, Bags & Filters	6
Identification of Parts	7
Standard Attachments	7
Assembly	7
Operating Instructions	8
Starting the Machine	8
Operating the Machine	8
Using the Attachment Tube, Hose & Attachments	9
The Display Panel	9
The Adjustment Wheel	9
Maintenance	10
Changing the Dust Bag	10
Changing the Micro-Hygiene Filter	10
Changing the Exhaust Filter	10
Changing the Brush Roller(s)	10
Changing the Sealing Strip	10
Clog Removal	11
Clogs in the Airflow Pathway	11
Clogs in the Attachment Hose	11
Clogs in the Attachment Tube	11
Clogs in Entrance to Dust Bag	11
Clogs in the Swivel Neck	11
Trouble-Shooting Guide	12
AUTOMATIC X Filter Bag Housing and Handle Schematic and Part Numbers	13
X4 Base Schematic and Part Numbers	14
X5 Base Schematic and Part Numbers	15

TECHNICAL DETAILS

Vacuum motor	1300 watts (10.8 amps)
Water lift (at motor)	92 inches
Airflow (at motor)	103.8 CFM
Filter bag capacity	1.4 gal.
Sound level	69 dBA
Body weight	X4-16.7 lbs / X5-16.9 lbs
Motor protection	electronic cut-out
Working width	X4-12 inches / X5-15 inches

WIRING DIAGRAM



U.S. Patents: 5,056,175
4,955,106
5,028,245

HOW TO CONTACT SEBO

To contact SEBO in the United States of America:

SEBO America, LLC
Telephone: (800) 334-6614
Fax: (303) 792-9196
Website: www.sebo.us

To contact SEBO in Canada:

Floor Care Equipment, Ltd.
Telephone: (800) 661-8687
Fax: (800) 270-4807
Website: www.sebocanada.ca

IMPORTANT SAFETY INSTRUCTIONS



READ ALL INSTRUCTIONS BEFORE USING THIS MACHINE

When using an electrical appliance, basic precautions must always be followed.

To reduce the risk of electric shock, this vacuum cleaner has a polarized plug; one blade is wider than the other. This plug will fit in a polarized outlet only one way. If the plug does not fit fully in the outlet, reverse the plug. If it still does not fit, contact a qualified electrician to install the proper outlet. Do not change the plug in any way. Connect only to the outlet type specified on the serial number plate underneath the machine.

SAVE THESE INSTRUCTIONS.

WARNING: To reduce the risk of fire, electric shock, or injury:

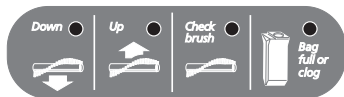
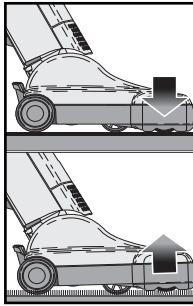
1. Do not leave vacuum while plugged in. Unplug from outlet when not in use and before servicing.
2. Do not use outdoors or on wet surfaces.
3. Do not use near small children or pets. Do not allow to be used as a toy. Use of this product by children should always be supervised by an adult.
4. Use only as described in this manual. Use only manufacturer-recommended attachments.
5. Do not use with a damaged cord or plug. If vacuum is not working as it should, has been dropped, damaged, left outdoors, or dropped into water, take it to a SEBO service center.
6. Do not pull or carry by cord, use cord as a handle, close a door on cord, or pull cord around sharp edges or corners. Do not run vacuum over cord. Keep cord away from heated surfaces.
7. Do not unplug by pulling on cord. To unplug, grasp the plug – not the cord.
8. Do not plug in if switch is in the “I” (ON) position.
9. Do not use outlets above counters to plug in vacuum – damage to items in the surrounding area could occur.
10. Always carry the vacuum over steps and sills.
11. Do not handle plug or vacuum handle with wet hands.
12. Do not put any object into vacuum openings. Do not use machine with any openings blocked. Keep openings free of lint, hair, and anything that may reduce air flow.
13. Do not re-use filter bags or wash the filters.
14. Do not remove any screws from vacuum.
15. Do not vacuum up anything that is burning or smoking, such as cigarettes, matches, or hot ashes.
16. Do not use vacuum without filter bag and/or filters in place.
17. Turn off all machine controls before unplugging.
18. Use extra care when cleaning on stairs.
19. Do not use machine to vacuum up flammable or combustible liquids such as gasoline or use in areas where they may be present.
20. Machines can cause a fire when operated near flammable vapors or materials. Do not operate this vacuum near flammable fluids, dust or vapors.
21. Maintenance and repairs must be done by qualified personnel.
22. Use only original SEBO replacement parts.
23. Do not use vacuum as a step.
24. If vacuum is used on plush carpet or carpet with thick padding, do not leave machine standing in one place with machine turned on.
25. Do not use the operator’s handle, which inserts into the top of the filter bag housing, to carry the machine. The carrying handle is located on the backside of the machine’s bag housing.
26. Keep hair, loose clothing, fingers, and all parts of body away from vacuum openings and moving parts. Do not place fingers or other body parts under vacuum unless it is unplugged.
27. Do not place the power head over rug or carpet edges.
28. The vacuum has a manual reset thermal protector. The protector is reset by switching off the vacuum. The thermal protector needs some time to cool down after switching off! Check the vacuum for air blockages or mechanical failures before switching on.
29. Store the vacuum in a dry place at room temperature. When the vacuum is not in use, you should wrap the cord on the cable hooks.
30. Any other servicing should be performed by an authorized service representative.

SEBO AUTOMATIC X PRODUCT FEATURES

Designed for All Floor Surfaces.

Automatic Height Adjustment for All Floors

– Based upon the resistance of the brush roller against the floor, the power head automatically adjusts up or down to the appropriate cleaning height, providing optimal cleaning of all floor surfaces. The height adjustment chosen by the machine ensures aggressive brush action, while providing optimal air flow. This prevents suffocation of air flow due to improper height selection. Never again manually adjust the brush height or use different vacuums for various floor surfaces; the SEBO X cleans them all, automatically!



Brush Adjustment Indicator Lights – Two lights, one for “up” and one for “down,” illuminate to indicate when the brush roller is in the process of adjusting to the proper cleaning height. Optimum cleaning occurs when both lights are off.

Bag Full or Clog Light & Auto Shut Off – A warning light will illuminate and the machine will automatically shut off, when it senses a full bag, a clog in the airflow pathway, or an excessively dirty micro filter. If the user ignores this warning for approximately 30 seconds, the machine will shut off and the “BAG FULL OR CLOG” light will flash. The user should turn the switch off, unplug the machine and immediately insert a new bag or remove the clog (to remove a clog, refer to the Clog Removal section on page 10). If the user restarts the machine without having solved the problem, the “BAG FULL OR CLOG” light will again illuminate and the machine will shut off in 30 seconds. This feature prevents damage to the motor due to overheating.

Brush Deterioration Light – To ensure optimum cleaning at all times, a warning light will illuminate to indicate when the brush roller should be replaced due to excessive wear. The red “CHECK BRUSH” light will illuminate (after a 10 second delay) to notify the user that the brush roller is too worn and, therefore, should be replaced. The light will remain illuminated until the worn brush roller is replaced, but the machine will continue to operate.

Brush Obstruction Light & Auto Shut Off

– A warning light will quickly flash, the brush roller will immediately stop spinning and the vacuum will shut off, if an obstruction becomes jammed in the brush roller. This prevents the belt from breaking and protects the motor from damage. The user should turn the switch off, unplug the machine and immediately remove the obstruction. If the user restarts the machine without removing the obstruction, the machine will again shut off in 3 seconds and the “CHECK BRUSH” light will flash.



Stationary Use Light

– A warning light will slowly flash when the machine is standing in its upright locked position (which causes the power head to rise to its highest point from the floor) yet the brush remains in contact with the carpet fibers. This feature warns of potential carpet damage caused by excessive time in a stationary position, during which carpet fibers remain engaged with the brush, usually on medium to high pile carpet.

Easy Brush Roller Removal – Quick brush cleaning or replacement is easy, and no tools are required!



Vacuum Motor – The AUTOMATIC X has a 1300 watt motor.

Instant-use Wand and Suction Hose – The integrated instant-use wand or suction hose is always ready. Just pull out either tool, or both together, to clean hard-to-reach corners, edges and crevices. The suction hose is ideal for cleaning furniture. And an optional nine-foot extension hose is available, which creates a total hose length of 15-feet, perfect for cleaning stairs. Choose from a range of optional attachments that can be fitted to the wand or hose. The wand and hose together have an eight-foot reach for instant cleaning of hard-to-reach areas.

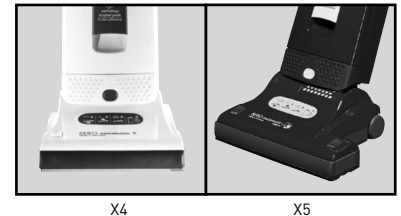


A Flat-to-the-floor, 5.5-inch Profile – Such a low profile makes cleaning under furniture and beds easy!

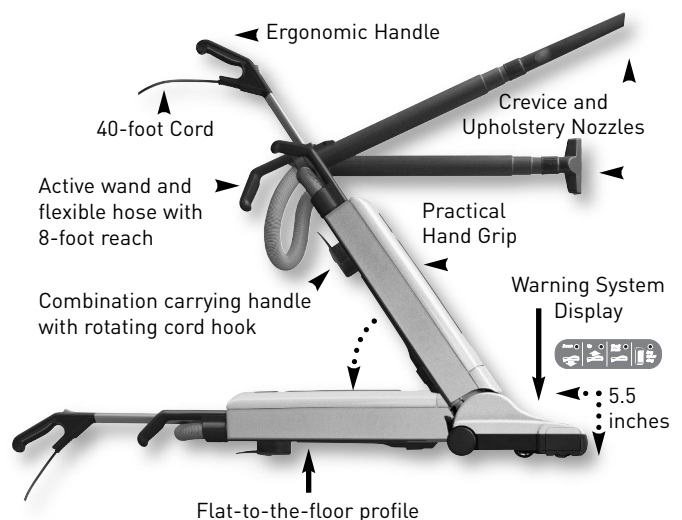
Forty-foot Cord – A 40-foot cord saves time because it minimizes the number of electrical outlets needed during use.

Lifetime Belt Warranty – No more changing belts...they should last the life of the machine!

Two Power Head Widths – The AUTOMATIC X4 power head is 12-inches wide, with a cleaning width of 10 ½-inches. The AUTOMATIC X5 power head is 15-inches wide, with a cleaning width of 14 ½-inches.



Three On-board, Full-size Tools and Large Filter Bag – The vacuum comes standard with a crevice nozzle, dusting brush and upholstery nozzle. Many optional accessories are also available. The filter bag is also SEBO’s largest, with a dirt capacity of 1.4 gallons.



STANDARD FEATURES OF ALL SEBO VACUUMS

SEBO'S FILTRATION SYSTEM:

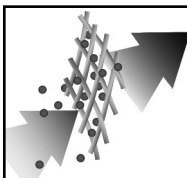
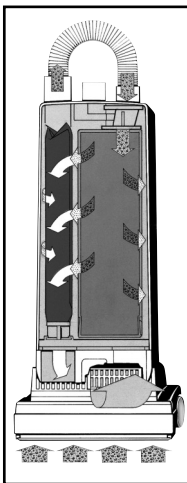
Bags are Better! – Top-fill, three and four-layer bags are an integral part of SEBO's filtration system because they hold virtually all dirt captured by the vacuum, which improves the effectiveness and useful life of the microfilters. They also ensure continuously strong suction because dirt enters from the top, deposits at the bottom, accumulates upward, and air exits through the sides, which allows unimpeded airflow as they fill to capacity. And they can be sealed when full, so no dust can escape into the air during bag removal and disposal.

In contrast, without bags to hold nearly all the captured dirt, the microfilters on bagless vacuums quickly clog from excessive dirt build-up and must be replaced often, or a loss of suction and cleaning effectiveness will occur. In addition, dust and other allergens become airborne when emptying bagless dirt containers. Lastly, bagless vacuum microfilters are expensive, usually costing more than a multi-year supply of SEBO filter bags.

S-class Pre-motor Microfilters – S-class Pre-motor Microfilters (S = "Schwebstoff" = airborne particles) are made from electrostatically charged micro-fiber material, which attracts and captures dust particles from the airflow of the vacuum before it passes over the motor to cool it. Cooling the motor with super-clean air increases motor life and reduces the possibility of maintenance, even after many years of use. This means that exhaust air is cleaned to the highest level. The S-class Standard requires filters to absorb greater than 99.9% of particles down to 0.3 microns in diameter. For comparison, 100 microns is the diameter of a human hair. Their advantages are a relatively open texture that allows smoother airflow for better suction performance, a longer life expectancy, and they cost less than HEPA filters

HEPA Pre-motor Microfilters (Optional) – HEPA Pre-motor Microfilters ("High Efficiency Particulate Air") remove a minimum of 99.97% of all airborne particulate matter down to 0.3 microns in diameter. Because these filters use small grid-like structures to capture dust particles, dirt build-up clogs the airflow pathway sooner than what is expected from S-class microfilters. However, SEBO's HEPA microfilters are sold along with four-layer "Ultra-bags," which provide highly effective filtration before the airflow goes through the HEPA microfilter, greatly increasing life expectancy and reducing the potential of diminished air flow.

Exhaust Filters – Exhaust filters clean the air emitted by the vacuum motor.



Designed and Manufactured in Germany – Legendary quality, reliability and performance make SEBO vacuums the choice of cleaning professionals throughout the world.

Excellent for Users With Allergies or Asthma – The British Allergy Foundation recommends SEBO filters.

Tightly Sealed Vacuums Ensure Effective Filtration – Dirty air, which flows through a vacuum, can only be filtered completely if it does not escape into the room through seams or seals in the machine. This is why all SEBO vacuums have tight seals throughout. Many vacuum companies with high-filtration claims are actually quoting specifications made by the manufacturer of the filter material, as measured in the laboratory, not the filtration effectiveness of the vacuum itself while operating. Whether or not dirty air can escape through leaks in the body of the machine is not considered. The filtration effectiveness of SEBO vacuums is tested while they operate.

Save Money! SEBO Vacuums Last for Years and Extend Carpet Life! – If properly maintained, SEBO vacuums save ordinary residential users hundreds of dollars by providing excellent performance for ten to fifteen years or more, and their deep-cleaning power-brush technology extends the life of carpets. Typical vacuums perform poorly, even when new, and usually do not last beyond two years. So six or seven "disposable vacuums" must be purchased during the average life expectancy of just one SEBO machine.

Outstanding Warranty Coverage – SEBO is confident about the quality of all its vacuums. Therefore, all models include a five-year warranty on the motor and all non-wear parts. **Please refer to the Warranty Card included with your SEBO vacuum cleaner for complete warranty coverage information.**

SEBO Microfilters Ensure Continuously Strong Suction Performance – They are also long lasting, inexpensive and easy to change in seconds.

Changing Bags is Easy and Clean – SEBO filter bags can be changed in just a few seconds, and a cap keeps dust sealed inside during removal and disposal.



Effective Pet Hair Removal – All SEBO vacuums easily remove pet hair!

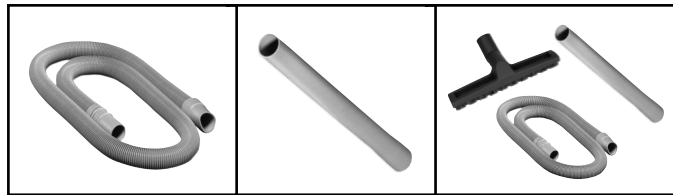


OPTIONAL ATTACHMENTS, ACCESSORIES, BAGS & FILTERS

In addition to the standard on-board tools, a variety of optional attachments are available. The nine-foot extension hose (extends suction hoses) and the 20-inch extension tube (extends instant-use wands) are very popular because they create useful tools for cleaning stairs and out-of-reach areas. These two items are sold separately or as part of multiple item attachment kits.

Another popular attachment is the hand-held turbo brush for removing pet hair from upholstery. SEBO filter bags can be purchased in boxes of ten (or sometimes eight) and filters are sold separately. Also, bags and filters can be purchased together in model-specific kits called "Service Boxes." SEBO bags, filters and accessories are reasonably priced and widely available.

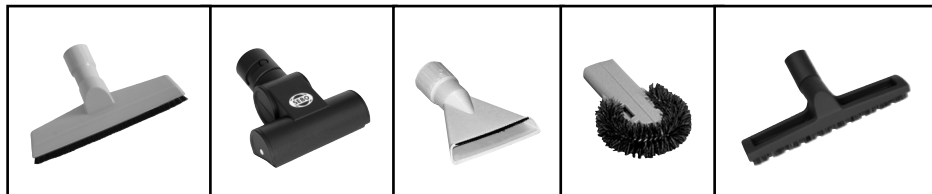
To create a fresh scent while vacuuming, "SEBO FRESH" is available. To use, deposit a scented stick in the filter bag.



9-foot Extension Hose
Part #1495AM

20-inch Extension Tube
Part #1084HG

3-piece Attachment Kit
Part #1991AM



Wall & Floor Brush
Part #1325HG

Hand-held Turbo Brush
Part #6179DA

Flat Upholstery
Nozzle
Part #1090HG

Radiator Brush
Part #1496DG

Parquet Brush
Part #1359DG



SEBO FRESH
Part #0496AM

Filter Bags
Part #5093AM

Service Box
Part #5828ER

HEPA Service
Box
Part #5827ER

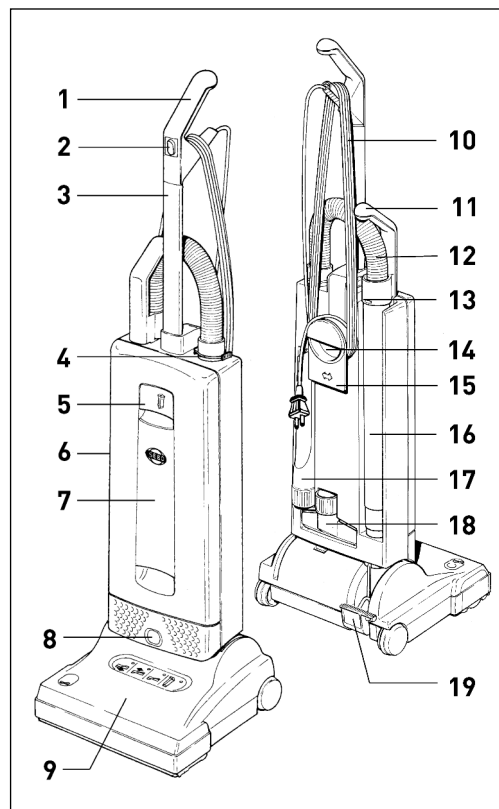
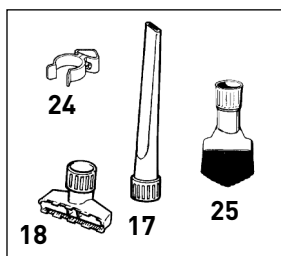
Charcoal Odor Filter
Part #5425AM

IDENTIFICATION OF PARTS

- | | |
|----------------------------|-----------------------------------|
| 1. Handle grip | 12. Attachment hose |
| 2. On/Off switch | 13. Handle catch |
| 3. Handle assembly | 14. Carrying handle |
| 4. Retaining ring | 15. Cable (cord) hook |
| 5. Cover release flap | 16. Attachment tube (active wand) |
| 6. Dust bag housing | 17. Crevice nozzle |
| 7. Front cover | 18. Upholstery nozzle |
| 8. Housing release button | 19. Foot pedal |
| 9. Power head with brush | 20. Swivel neck |
| 10. Cable (cord) | 21. Support lever |
| 11. Attachment tube handle | 22. Protruding tab |
| | 23. Connecting tube |

Standard Attachments

- 17. Crevice nozzle
- 18. Upholstery nozzle
- 24. Dusting brush clamp
- 25. Dusting brush



ASSEMBLY

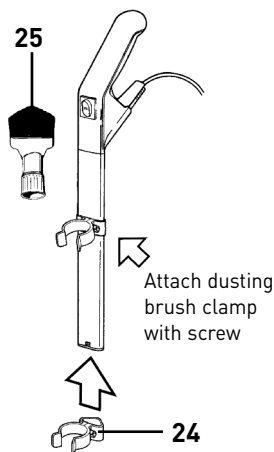
Place the power head (9) on the floor with the swivel neck (20) and the support lever (21) upright. Hold the dust bag housing (6) vertically and place it over the swivel neck and support lever. Push firmly and **evenly** down so that the housing release button (8) snaps outward to its "locked" position.

Slide the dusting brush clamp (24) onto the handle tube and tighten the screw. The handle of the dusting brush (25) will now snap into the clamp.

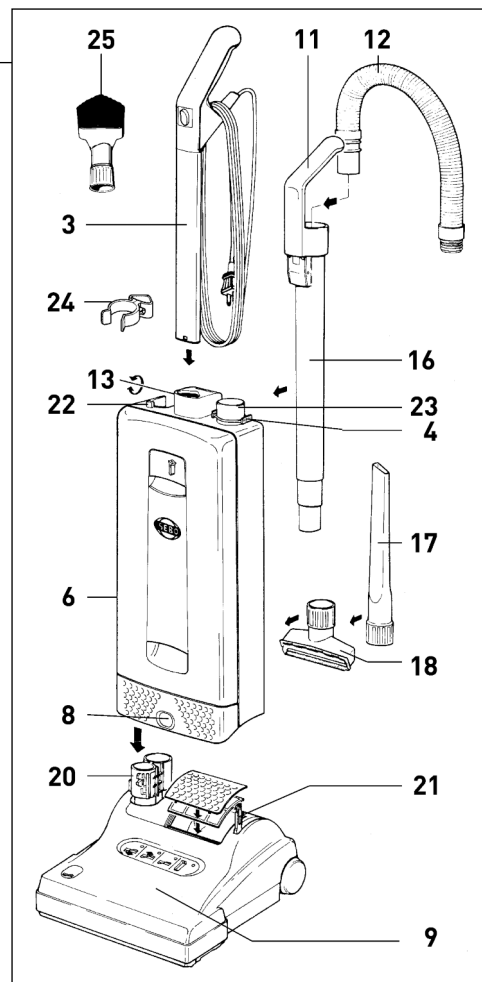
To lock the handle (3) to the dust bag housing (6), turn the handle catch (13) at the handle joint of the filter bag housing (6) forward to "open" position. Then slide the handle assembly (3) in as far as possible and lock it in by turning the handle catch to the closed position.

Push the black end of the attachment hose (12) into the connecting tube (23) so that it clicks into place. Insert the attachment tube (16) into the swivel neck and push the handle (11) over the protruding tab (22).

Insert crevice nozzle (17) and upholstery nozzle (18) into the recesses in the back of the machine.



NOTE: All illustrations shown in this manual represent the X4 model except where part numbers and instructions are different for each model. In those instances, illustrations for both the X4 and X5 will be shown.



OPERATING INSTRUCTIONS

Starting The Machine - Figures 1 & 2

Before turning on your vacuum cleaner, make sure that the vacuum handle is in its upright locked position and that you have a firm hold on the handle grip to keep the machine from moving forward.

1. Turn the quick release cable hook (#15, figure 1) to the up position by moving it to the left or right.
2. Release the power cord plug from the power cord and lift the cord off of the upper cord hook (#26, figure 2).
3. With the switch (#2, figure 2) in the "0" (OFF) position, plug the polarized power cord into a 120 volt outlet located near the floor.

Switch Position

0 = OFF

I = ON

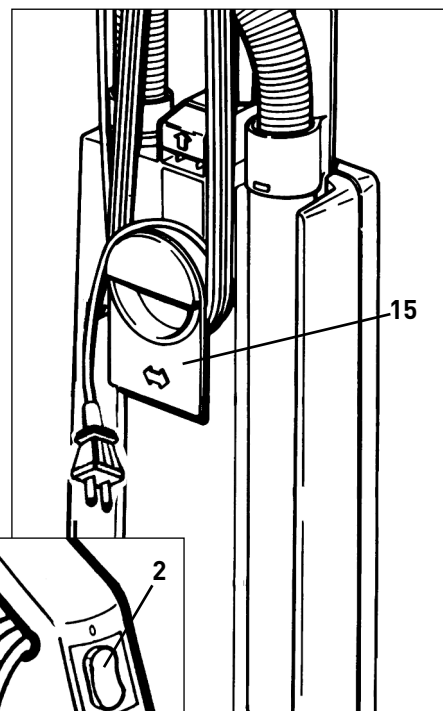


Figure 1

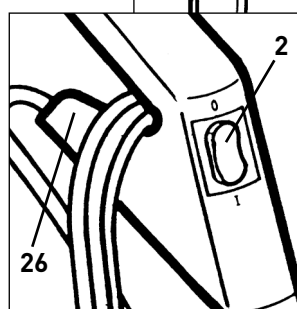


Figure 2

Operating the Machine - Figure 3

When the machine is switched on with the handle in the upright locked position, the power head and brush automatically rise from the carpet. To release the machine from the upright locked position, press down on the foot pedal (19) and lower the handle into the normal operating position. The power head and brush will automatically lower to the appropriate height.

The handle can be lowered to an intermediate stop position in order to lift up the brush head for maneuvering over rugs, etc. To lower the handle to a horizontal position useful for vacuuming under beds, the foot pedal must be pressed a second time. The intermediate stop position can be closed off by the orange-colored slider (27) on the back of the swivel neck (20), so that the handle will go from vertical to horizontal in one movement.

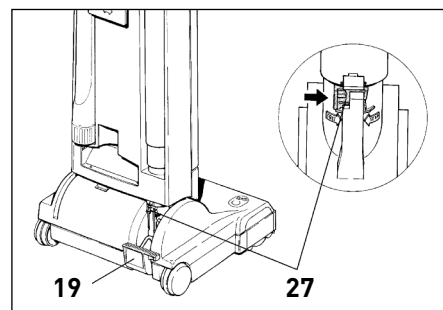


Figure 3



WARNING!

The quality, condition, coating, texture, age and manufacturing technique of all floor surfaces vary. Therefore, upright vacuums with rotating brushes, including your SEBO, may damage some floor coverings or surfaces. Some types of high-gloss hardwood floors, cushion vinyl, berber carpets, long shag, and delicate or hand-woven carpets are particularly vulnerable to damage by rotating brushes. When possible, consult the materials supplied by your floor's manufacturer for information on proper upkeep and cleaning. **To ensure that your new SEBO vacuum cleaner is compatible with your floor, please test the vacuum cleaner on each type of flooring surface in a small inconspicuous area to determine if any damage occurs. If damage occurs, stop using the vacuum cleaner immediately!**

The standard brush roller on your SEBO vacuum is appropriate for most types of floor surfaces. However, a soft-bristle brush roller (X4 part # 5010GE or X5 part # 5290GE) that is designed for use on sensitive looped-pile carpets and/or hard floors is available for an additional charge. As with the standard brush roller, you should test the machine using the soft-bristle brush roller in an inconspicuous area prior to widespread use. The soft-bristle roller will wear more quickly than the standard brush roller, so it will need to be replaced more often. Also, because the bristles are softer, the height adjustment on the machine will be slightly lower than normal. **Care must be taken to ensure that the bottom of the machine does not contact the floor.** If this happens, damage to the floor could occur. **If damage occurs, stop using the vacuum cleaner immediately!**

Using the Attachment Tube, Hose & Attachments - Figures 4, 5 & 6

The attachment tube (16) is useful for vacuuming corners and hard-to-reach areas. The handle grip (1) should be in the upright, locked position (**as shown in figure 4**). Grip the attachment tube handle (11), pull it up and away from the machine and stretch out the hose (12) until it locks to the back of the tube (this locking action will prevent the hose from retracting back into the attachment tube while it is in use). Various attachments may be inserted onto the end of the tube. After use, remove attachment and re-insert the attachment tube into the back of the machine. **Be sure that the attachment tube handle (11) is inserted over the protruding tab (see #22, page 6)**. If the attachment tube handle is properly seated over the protruding tab, the hose will automatically retract and you may resume vacuuming. There is no need to turn off the vacuum while switching from upright vacuuming to using the attachment tube or hose.

To use the hose without the attachment tube (**as shown in figure 5**), pull the hose out of the attachment tube while the tube is still attached to the machine and **securely seated over the protruding tab (22)**. Insert an attachment tool, if desired, onto the end of the flexible hose. You may also release the hose while the attachment tube is disengaged from the machine by pressing the release button at the base of the handle (11).

While using attachment tools, if the power head brush roller is not able to disengage from the floor surface, the stationary-use warning light will flash. You may keep the brush roller off the carpet by placing the handle (1) in its upright locked position and lowering the handle with one hand to raise the brush roller off of the floor. Operate attachment accessories with the other hand. Or, with the handle in the upright locked position, the machine may be tipped backward so that it rests against furniture or the floor on the back side of the bag housing (6), and the power head is locked in a perpendicular position to the floor. Ensure that no children or pets can come into contact with the spinning brush roller.

To vacuum walls, under beds, or higher-reach areas, etc., the SEBO AUTOMATIC X can be fitted with an additional straight tube (45) and the wall and floor brush (41). The machine will then perform as a canister vacuum (**as shown in figure 6**).

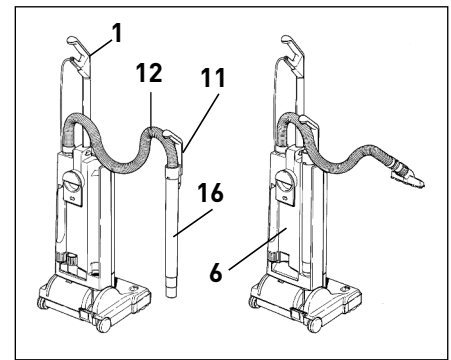


Figure 4

Figure 5

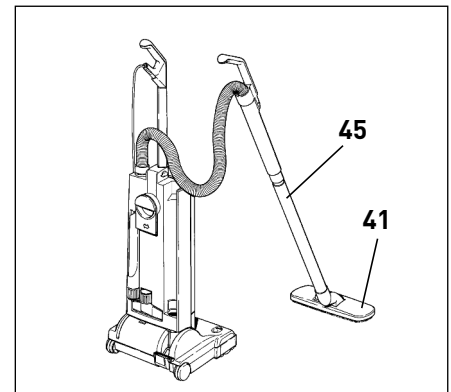


Figure 6

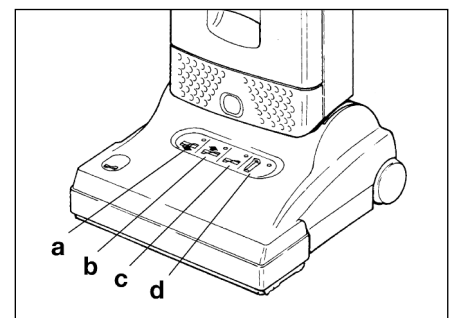


Figure 7

The Display Panel - Figure 7

Green light	(a):	Brush is lowering
Green light	(b):	Brush is rising
Red light	(c):	Flashing and motor off - brush jammed - clear jam
Red light	(c):	Flashing and motor on (when machine is in upright, locked position) - Take care, brush in contact with carpet
Red light	(c):	Continuous - change brush roller
Red light	(d):	Continuous - change bag or clear clog
Red light	(d):	Flashing - motor switched off due to full bag or clog

For more information on the display panel, see pages 4 and 5.

The Adjustment Wheel - Figures 8 & 9

On hard floors (figure 8), the adjustment wheel (40), moves upward into the machine so that the brush lowers and becomes flush with the floor.

On carpeted floors (figure 9), the adjustment wheel (40) moves downward out of the machine so that the brush rises. The adjustment wheel moves up and down automatically to adjust the brush to the correct setting. This provides aggressive brush action, while maintaining optimal air flow.

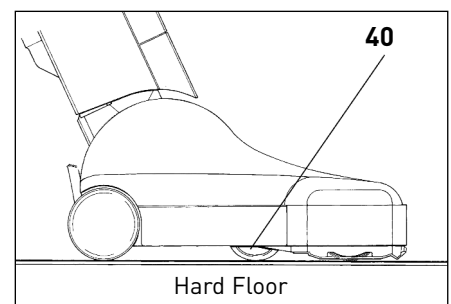


Figure 8

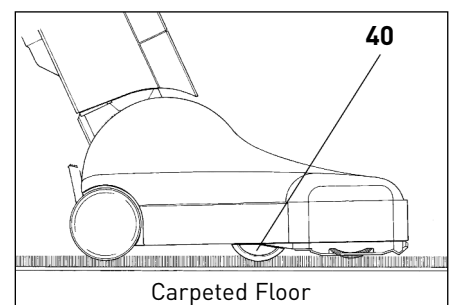


Figure 9

VACUUM MAINTENANCE

⚠ Always unplug vacuum from outlet before dismantling any part of machine!

Changing the Dust Bag - Figure 10

To change the dust bag, pull the cover release flap forward (#5 on page 6) and lift the cover (7) from the dust bag housing. **The cover release flap must remain in a forward "pulled-out" position to change dust bags and lock them into place.** Squeeze the clamps on both sides of the dust bag sealing plate, slide the plate (28) from the holder (29) and push the cap on to seal the bag. Slide the sealing plate (28) of a new bag into the holder and push it in firmly. Re-insert cover into dust bag housing, push it forward, then lock it in place by pushing down the cover release flap. You may find it convenient to store the bag cap inside the dust bag housing below the dust bag.

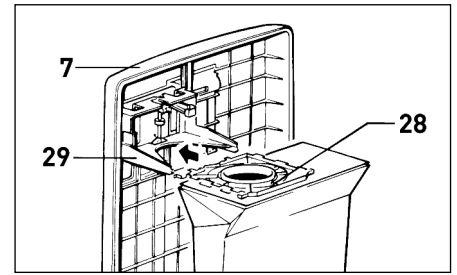
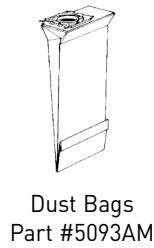


Figure 10

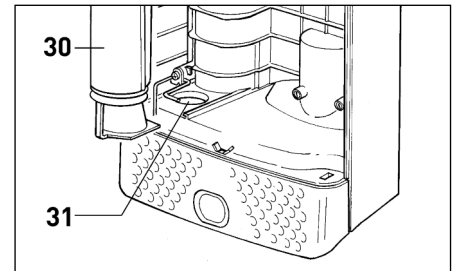
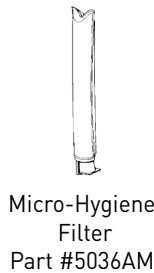


Figure 11

Changing the Micro-Hygiene Filter - Figure 11

The micro-hygiene filter (30) needs to be changed when it becomes extremely dirty or clogged with dust, or after approximately 20 dust bags have been used. To change the micro-hygiene filter, pull the cover release flap (#5 on page 6) forward and lift the cover from the dust bag housing. Then, slide the filter out at the bottom. To replace, lift the safety lever (31) and slide the new filter in using the tracks as guides.

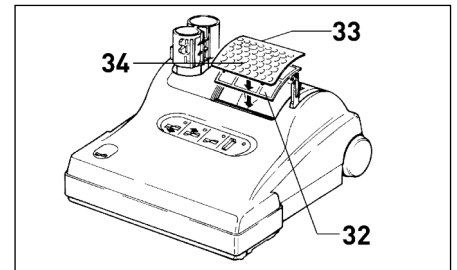


Figure 12

Changing the Exhaust Filter - Figure 12

After 20 bags have been used, change the exhaust filter (32). To remove the exhaust filter, push the catch (33) backward and remove the filter cover (34) and exhaust filter. Insert the new filter and replace the filter cover.

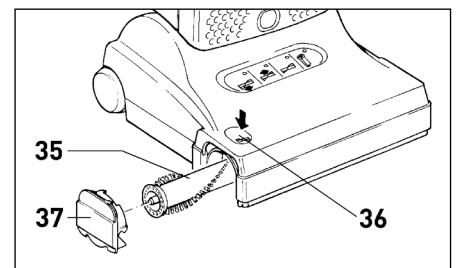


Figure 13 (X4)

Changing the Brush Roller(s) - Figure 13 (X4), Figure 13a (X5)

To change the brush roller(s) (35 or 35a), push the button(s) (36 or 36a), remove the side plate(s) (37 or 37a), turn the brush(s) clockwise a quarter of a turn, and pull the old brush roller(s) out. Slide the new brush roller(s) into the brush housing and turn it until it locks into position. While slightly pushing the button(s) (36 or 36a), press the side plate(s) (37 or 37a) back into the locked position.

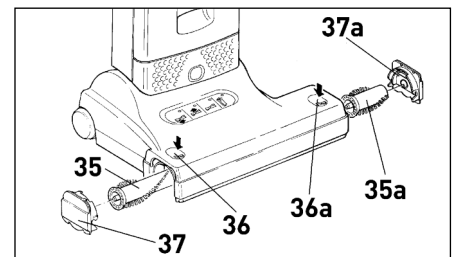


Figure 13a (X5)

Changing the Sealing Strip - Figure 14 (X4), Figure 14a (X5)

The sealing strip (39) is located just behind the brush roller opening. The sealing strip seals the power head to hard floors to prevent kick-back of debris while vacuuming. To replace a worn sealing strip, push the release button, remove the side plate (36 and 37 in figure 13 & 13a) and slide old strip out. Insert the new strip into the slot and slide into place.

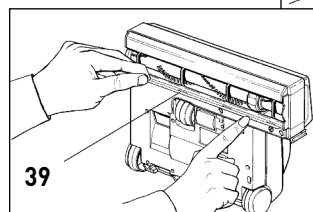
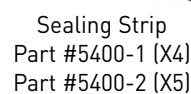


Figure 14a (X5)

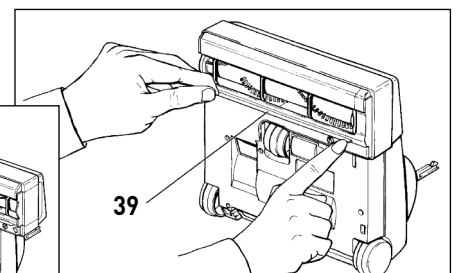


Figure 14 (X4)

CLOG REMOVAL

 **Always unplug vacuum from outlet before removing any clogs!**

Clogs in the Airflow Pathway - Figure 15

Most clogs can be removed by accessing the airflow pathway via the orange colored access door (38) located on the underside of the power head. However, other clogs may only be removed by accessing the airflow pathway by disassembling the machine in the opposite sequence of the machine's original assembly (see assembly, page 6).

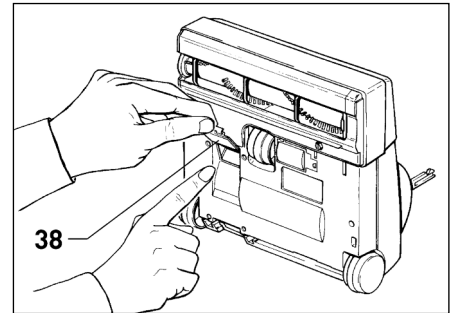


Figure 15

Clogs in the Attachment Hose - Figure 16

Blockages in the hose can be cleared by removing the attachment hose (12) from the machine by squeezing the retaining ring (4) and inserting the opposite end of the hose in the connecting tube (23). Hold the hose upright with one hand blocking the top end and switch on the machine. If necessary, quickly lift your hand on and off the end of the hose. If this procedure does not clear the clog, a straight wire can be inserted into the hose to push out the clog. Take care not to puncture the hose with the wire.

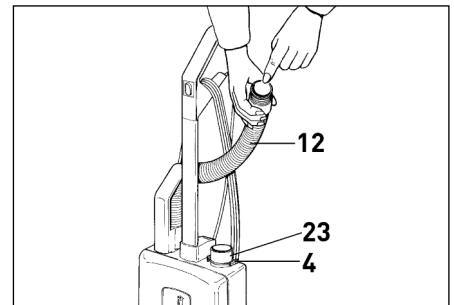


Figure 16

Clogs in the Attachment Tube (Active Wand) - Figure 17

Remove attachment hose (12) from the attachment tube (16). Then, grip attachment tube handle (11) and remove tube from the machine. A straight wire can be inserted into the tube to push out the clog.

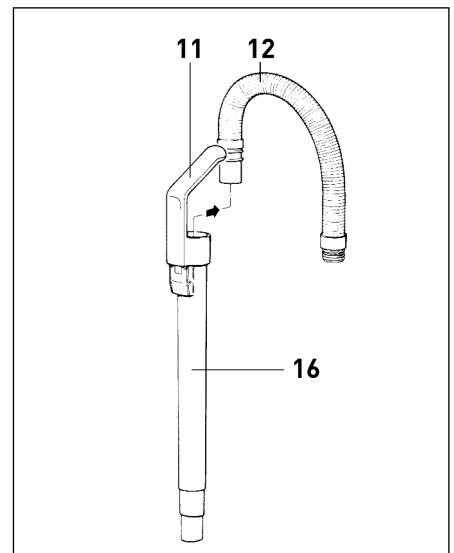


Figure 17

Clogs in Entrance to Dust Bag - Figure 18

Remove attachment hose (12) from vacuum cleaner (see figure 16) and remove front cover (7). Clean out connecting tube (29) and/or entrance to bag (28).

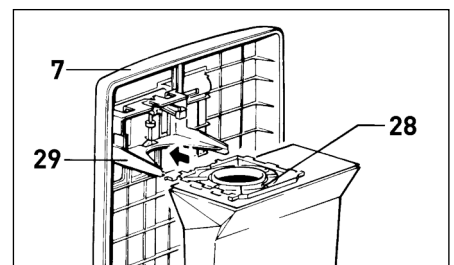


Figure 18

Clogs in the Swivel Neck - Figure 19

Clogs in the swivel neck (20) can be removed by first pressing the housing release button (8) and lifting off the dust bag housing (6). Lift upward firmly and evenly to properly remove the dust bag housing. Then, release the foot pedal (19), lower the swivel neck, check inside the swivel neck channel closest to the foot pedal (see arrow), and clean out pathway.

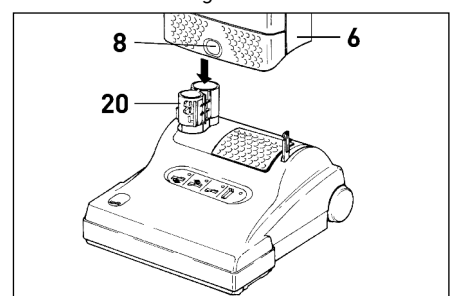


Figure 19

TROUBLE-SHOOTING GUIDE



Always unplug vacuum from outlet before dismantling any part of the machine!

PROBLEM	REASON	SOLUTION
Does not turn on or machine shuts off intermittently	1. Handle not fully inserted into the bag housing, causing a faulty connection.	1. Release handle catch, push handle down, close handle catch. See pg. 6.
	2. Not plugged into good outlet.	2. Use another outlet.
	3. Cable worn.	3. Replace cable.
	4. Dust bag housing (6) not seated fully into proper "locked" position on top of power head.	4. Housing release button (8) should be snapped outward to its locked position.
Bag full or clog light on or flashing & machine shuts off	1. Bag full.	1. Replace bag. See Bag Replacement on page 9. Also see page 4.
	2. Clog in airflow pathway, attachment hose, attachment tube, swivel neck or entrance to dust bag.	2. See Clog Removal on page 10. Also see page 4.
	3. Microfilter dirty.	3. Replace microfilter. See page 9
Brush light on	1. Brush worn.	1. Replace brush. See page 9. Also see page 4.
Brush light slowly flashing	1. Vacuum is stationary and in upright locked position.	1. See page 7. Also see page 5.
Brush light flashing & machine shuts off	1. Brush jammed.	1. Shut off the power switch, unplug the machine and pull the obstruction from the brush roller. Also see page 4.
Up & down lights flicker	1. Operating on uneven floor.	1. Ignore.
Does not pick up	1. Attachment tube not correctly inserted.	1. Reinsert attachment tube, making sure lower end of tube is in the lower hole and handle is properly seated over the protruding tab (22).
	2. Front cover not closed.	2. See below.
Front bag door won't fully close	1. Cover release flap not fully closed.	1. Reinsert bag. Lock the cover release flap down firmly.
	2. Bag not inserted properly	2. Reinsert bag with cover release flap (5) up, until firmly latched in bag holder (see pg. 9 figure 10).
	3. Microfilter not properly inserted.	3. Lift safety lever and insert filter with vertical plastic ridge on filter facing you (see pg. 9, figure 11).
Hose doesn't retract after attachment tube is inserted	1. Attachment tube not properly inserted.	1. Reinsert making sure top of handle is pointing back and tube is fully seated on the protruding tab (22) on top of the dust bag housing.

AUTOMATIC X4 & X5 SCHEMATIC AND PARTS LIST

Filter Bag Housing and Handle

#9570AM X4 and #9580AM X5 White/Gray Machine

Pos.	Part #	Description
1	5642AM	Handle complete - gray black/white (incl. pos. 2 -13)
2	5297GSAM	Handle grip (incl. pos. 3, 7 + 10)
3	5359GS	Grommet
4	5450DG	Power supply cord
5	05113	Switch w/screws
6	5160WE	Switch cap - arctic white
7	5161GS	Switch cap holder
8	5162	Cable clamp
9	0103	Screw C 3.9x16 DIN 7981
10	5253UL	Wire-antistatic
11	5298ER	Handle cable
12	0129	Screw M 4x12 DIN 966
13	5187	Handle tube
14	0102	Screw F 3.9x13 DIN 7981
15	5040SB	Hose, cpl.
16	5045GS	Extension tube
17	5707WE	Cover - white
18	5319	Bag holder Spring
19	5706GS	Cover release - gray black
20	5091	Safety catch spring
21	5360	Safety catch
22	5324	Bag holder cpl. (incl. pos. 20 + 21)
23	50750SE	Front cover complete (14 & 17-22) - white/gray black
	5454	Front cover seal
24	5093AM	Dust bag pack
25	5036AM	Micro hygiene filter
26	5380GS	Internal cover cpl. (incl. pos. 40 + 41)
27	1073	Clamp
28	5208	Filter safety catch
29	5210	Return spring
30	5164	Cable clamp
31	5722GS	Dust bag housing locking catch - gray black
32	1859GS	Handle catch - gray black
33	0161	Clip 4, DIN 6799
34	5721WE	Carrying handle - gray black
35	5703WE	Cable hook - white
36	5146	Stop spring
37	5424GS	Retaining ring
38	5299ER	Internal cable
39	5266	Cable clamp
40	5842	Seal
41	5289	Seal
43	1823GS	Attachment clip - gray black
44	5084	Spring for locking rod
45	5163	Seal
46	5083	Locking rod
47	5702WE	Dust bag housing bumper base - white
48	5755WE	Dust bag housing, cpl. - white/gray black (incl. pos. 9, 14 + 26-47)
49	1092GS	Crevice nozzle
50	1491GS	Upholstery nozzle
51	5460GS	Mounting clip with screw
52	1387GS	Dusting brush

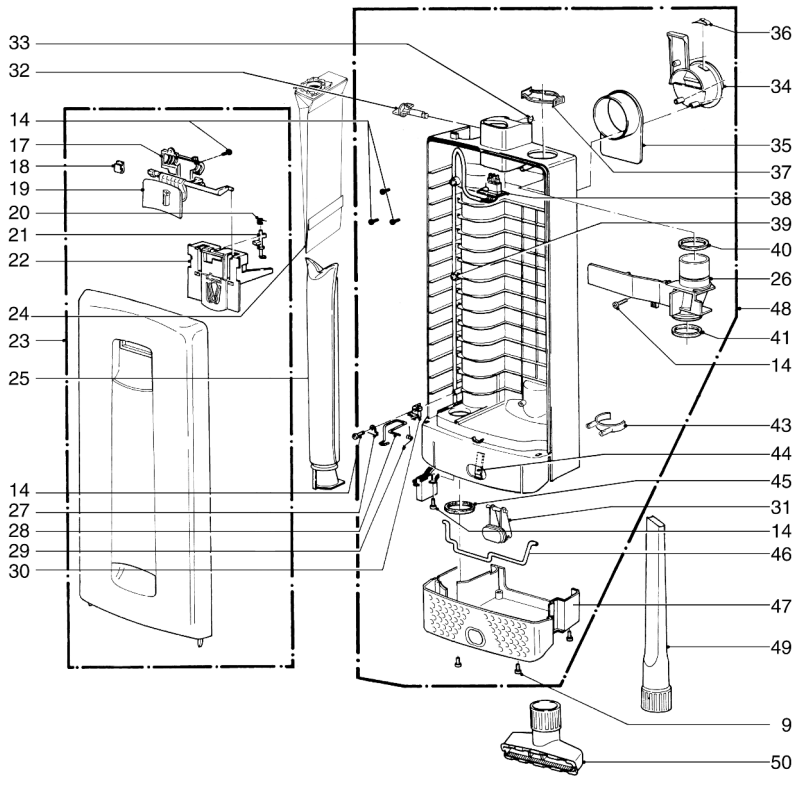
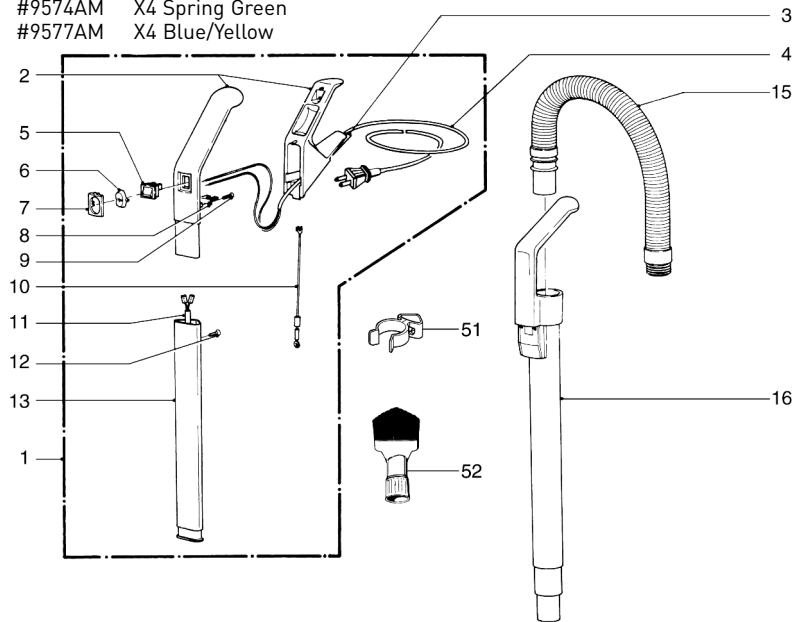
#9501AM X4 Onyx/Silver Machine Exceptions

1	5640AM	Handle complete - black/silver (incl. pos. 2-13)
2	5295AM	Handle grip (incl. pos. 3, 7 + 10)
3	5359SW	Grommet
6	5160SB	Switch cap - silver
7	5161SW	Switch cap holder -black
16	5045SW	Extension tube - black
17	5707SW	Cover - black
19	5706SB	Cover release - silver
23	5774SE	Front cover complete - black/silver
26	5380SW	Internal cover (incl. pos. 40 + 41)
31	5722SB	Dust bag housing locking catch - silver
32	1859SB	Handle catch - silver
34	5721SW	Carrying handle - black
35	5703SW	Cable hook - black
37	5424SB	Retaining ring
43	1823SW	Attachment clip - black
47	5702SW	Dust bag housing bumper base - black
48	5763SW	Dust bag housing complete - black (pos. 9, 14, + 26-47)
49	1092SW	Crevice nozzle - black
50	1491SW	Upholstery nozzle - black

#9558AM X4 Red/Gray Machine Exceptions

1	5645AM	Handle complete - red/gray black
6	5160DR	Switch cap - red
17	5707DR	Cover - red
23	50751SE	Front cover complete - red/gray black
35	5768DR	Cable hook (incl. pos. 34 carrying handle) - red
47	5702GS	Dust bag housing bumper - gray black
48	5755DR	Dust bag housing complete - red/gray black

#9501AM	X4 Onyx/Silver	#9580AM	X5 White/Gray
#9558AM	X4 Red/Gray	#9587AM	X5 Blue/Yellow
#9570AM	X4 White/Gray		
#9574AM	X4 Spring Green		
#9577AM	X4 Blue/Yellow		



#9574AM X4 Spring Green Machine Exceptions

Pos.	Part #	Description
1	5637AM	Handle complete - spring green (pos. 2-13)
6	5160FG	Switch cap - spring green
17	5707FG	Cover - spring green
23	5754SE	Front cover complete - spring green/dark gray
34	5721FG	Carrying handle - spring green
35	5703FG	Cable hook - spring green
47	5702DG	Dust bag housing bumper base
48	5759FG	Dust bag housing cpl. (spring green) (incl. pos. 9, 14 + 26-47)

#9577AM X4 and #9587AM X5 Blue/Yellow Machine Exceptions

Pos.	Part #	Description
1	5647AM	Handle complete - gray black/yellow
6	5160SG	Switch cap - yellow
17	5707DB	Cover - dark blue
19	5706SG	Cover release - yellow
23	5749SE	Front cover complete - dark blue/yellow
31	5722SG	Dust bag housing locking catch - yellow
32	1859SG	Handle catch - yellow
34	5721DB	Carrying handle - dark blue
35	5703DB	Cable hook - dark blue
47	5702DB	Dust bag housing bumper base - dark blue
48	5755DB	Dust bag housing complete - dark blue/yellow

AUTOMATIC X4 SCHEMATIC AND PARTS LIST

Power Head

#9570AM X4 White/Gray Machine

Pos.	Part #	Description
100	5781SE	Power head cover, complete (incl. pos. 101-103+164) - white/gray black
101	5712WE	Exhaust filter catch - white
102	5143	Exhaust filter
103	5711WE	Exhaust filter cover - white
104	5729UL	Swivel neck assembly (105-108 & 111)
105	5176UL	Male contact holder
106	0102	Screw F 3.9 x 13 DIN 7981
107	2494	Cable clamp
108	5101	Swivel neck bearing r. h.
109	5480	Swivel neck support r. h.
110	5479	Swivel neck support l. h.
111	5717	Swivel neck bearing l. h.
112	5203ER	PCB power supply (113)
113	5205	Ribbon cable
114	5713WE	Brush roller release - white
115	5103	Spring
116	5051GS	Axle, assembly (117-120)
117	5059OR	Foot pedal - orange
118	5053	Axle
119	5819GS	Wheel
120	2010	Axle spring
121	2014	Axle clamp
122	5031WE	Bearing block right hand- white/gray black
123	5010AM	Brush roller
124	5005GS	Bumper set
125	5155GS	Rubbing plate
126	5172OR	Access door (incl. pos. 127 + 128)
127	5303	Access door axle
128	5304	Access door spring
129	5154GS	Hinge
130	0100	Screw C 2.9 x 9.5 DIN 7981
131	0176TL	Screw AM 4 x 30 DIN 7985 TL
132	5174GS	Pile adjustment wheel
133	5060ER	Servo motor with gear box
134	5411GS	Front bottom plate, complete
135	5412GS	Rear bottom plate, complete (incl. pos. 136 + 139)
136	5400-1	Sealing strip
137	5401	Wire tie
138	5402	Wire tie
139	0197	Screw M 4 x 12
140	5482GS	Chassis cpl. (124-130 & 134-139)
141	5468	Vacuum motor 1300 w/120 V (142 & 143)
142	05117S	Carbon brush set for vac motor
143	5100	Rubber mounting
144	5462	Motor pulley
145	5129	Support lever
146	5107-1	Support spring
147	5112SW	Motor pulley cover
148	5740ER	Computer controller
149	0107	Screw C 2.9 x 13 DIN 7981
150	0143	Washer 3.2 DIN 125
151	5173SW	Cover for air channel
152	5464	Sensor w/screws and pulley
153	0104	Screw C 3.9 x 25 DIN 7981
154	5463	Belt 2MR-310-6
155	5110	Belt 219 3M HTDII-6
156	5766HG	Bearing block l. h., complete
160	0103	Screw C 3.9 x 16 DIN 7981
161	0141	Locking washer
162	5018UL	Motor cover
163	5117/1	Sensor pulley
164	5730GS	Display - gray black

#9501AM X4 Onyx/Silver Machine Exceptions

100	50783SE	Power head cover complete (incl. pos. 101-103+164) - onyx/silver
101	5712GS	Exhaust filter catch - gray black
103	5711SW	Exhaust filter cover - onyx
114	5713SW	Brush roller release - onyx
122	5031SW2	Bearing block right hand
164	5730SB	Display - silver

#9558AM X4 Red/Gray Machine Exceptions

100	50778SE	Power head cover complete (incl. pos. 101-103+164) - red/gray black
101	5712GS	Exhaust filter catch - gray black
103	5711DR	Exhaust filter cover - red
114	5713GS	Brush roller release
122	5031DR1	Bearing block right hand - red/gray black

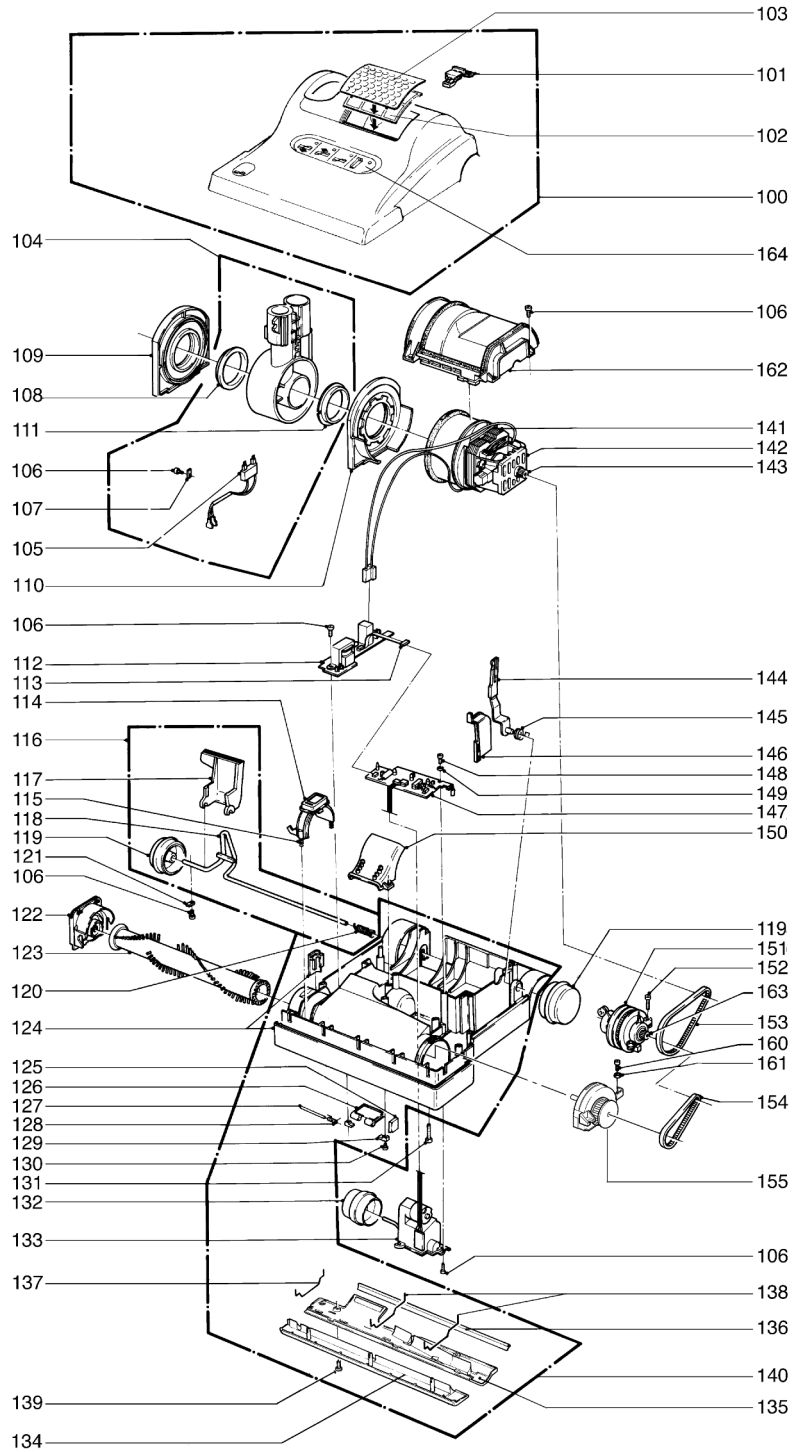
#9574AM X4 Spring Green Machine Exceptions

100	5779SE	Power head cover complete (incl. pos. 101-103+164) - spring green/dark gray
101	5712DG	Exhaust filter catch
103	5711FG	Exhaust filter cover - spring green
114	5713DG	Brush roller release
122	5031FG	Bearing block right hand - spring green/dark gray

#9577AM X4 Blue/Yellow Machine Exceptions

100	5786AM	Power head cover complete (incl. pos. 101-103+164) - dark blue/yellow
101	5712DB	Exhaust filter catch - dark blue
103	5711DB	Exhaust filter cover - dark blue
114	5713DB	Brush roller release - dark blue
122	5031DB1	Bearing block right hand - dark blue/gray black
164	5730SG	Display - yellow

#9501AM X4 Onyx/Silver
 #9558AM X4 Red/Gray
 #9570AM X4 White/Gray
 #9574AM X4 Spring Green
 #9577AM X4 Blue/Yellow



AUTOMATIC X5 SCHEMATIC AND PARTS LIST

Power Head

#9580AM X5 White/Gray Machine

Pos.	Part #	Description
100	5791SE	Power head cover, complete (incl. pos. 101-103+169) - white/gray black
101	5712WE	Exhaust filter catch - white
102	5143	Exhaust filter
103	5711WE	Exhaust filter cover - white
104	5729UL	Swivel neck assembly (105-108 & 111)
105	5176UL	Male contact holder
106	0102	Screw F 3.9 x 13 DIN 7981
107	2494	Cable clamp
108	5101	Swivel neck bearing r. h.
109	5178	Swivel neck support r. h.
110	5728	Swivel neck support l. h.
111	5717	Swivel neck bearing l. h.
112	5203ER	PCB power supply (113)
113	5205	Ribbon cable
114	5713WE	Brush roller release - white
115	5103	Spring
116	5051GS	Axle, assembly (117-120)
117	5059OR	Foot pedal, orange
118	5053	Axle
119	5819GS	Wheel
120	2010	Axle spring
121	2014	Axle clamp
122	5031WE	Bearing block right hand - white/gray black
123	5290AM	Brush roller set
124	5230GS	Bumper set
125	5155GS	Rubbing plate
126	5172OR	Access door (incl. pos. 127 + 128)
127	5303	Access door axle
128	5304	Access door spring
129	5154GS	Hinge
130	0100	Screw C 2.9 x 9.5 DIN 7981
131	0176TL	Screw AM 4 x 30 DIN 7985 TL
132	5174GS	Pile adjustment wheel
133	5060ER	Servo motor with gear box
134	5413GS	Front bottom plate, complete
135	5414GS	Rear bottom plate, complete (incl. pos. 136 + 139)
136	5400-2	Sealing strip
137	5401	Wire tie
138	5402	Wire tie
139	0197	Screw M 4 x 12
140	5321GS	Chassis, complete (124-130 & 134-139)
141	5468	Vacuum motor 1300 W / 120 V (142 & 143)
142	05117S	Carbon brush set-vac mtr.
143	5100	Rubber mounting
144	5462	Motor pulley
145	5129	Support lever
146	5107-1	Support spring
147	5112SW	Motor pulley cover
148	5740ER	Computer controller
149	0107	Screw C 2.9 x 13 DIN 7981
150	0143	Washer 3.2 DIN 125
151	5173SW	Cover for air channel
152	5465	Sensor w/screws and pulley
153	0104	Screw C 3.9 x 25 DIN 7981
154	5463	Belt 2MR-310-6
155	5110	Belt 219 3M HTDII-6
156	5767HG	Bearing block l. h., complete
157	0103	Screw C 3.9 x 16 DIN 7981
158	0141	Locking washer
159	5018UL	Motor cover
160	5714WE	Brush roller release - white
161	5244HG	Seal bearing
162	5249WE	Brush cover - white/gray black
163	5250	Edge brush
164	5246	Shaft extension, complete
165	5117/1	Sensor pulley
166	5730GS	Display - gray black

#9587AM X5 Blue/Yellow Machine Exceptions

100	5796AM	Power head cover complete - (incl. pos. 101-103+169) dark blue/yellow
101	5712DB	Exhaust filter catch - dark blue
103	5711DB	Exhaust filter cover - dark blue
114	5713DB	Brush roller release - dark blue
122	5031DB1	Bearing block right hand - dark blue/gray black
163	5714DB	Brush roller release - dark blue
165	5249DB1	Brush cover - dark blue/gray black
169	5730SG	Display - yellow

#9580AM X5 White/Gray
#9587AM X5 Blue/Yellow

